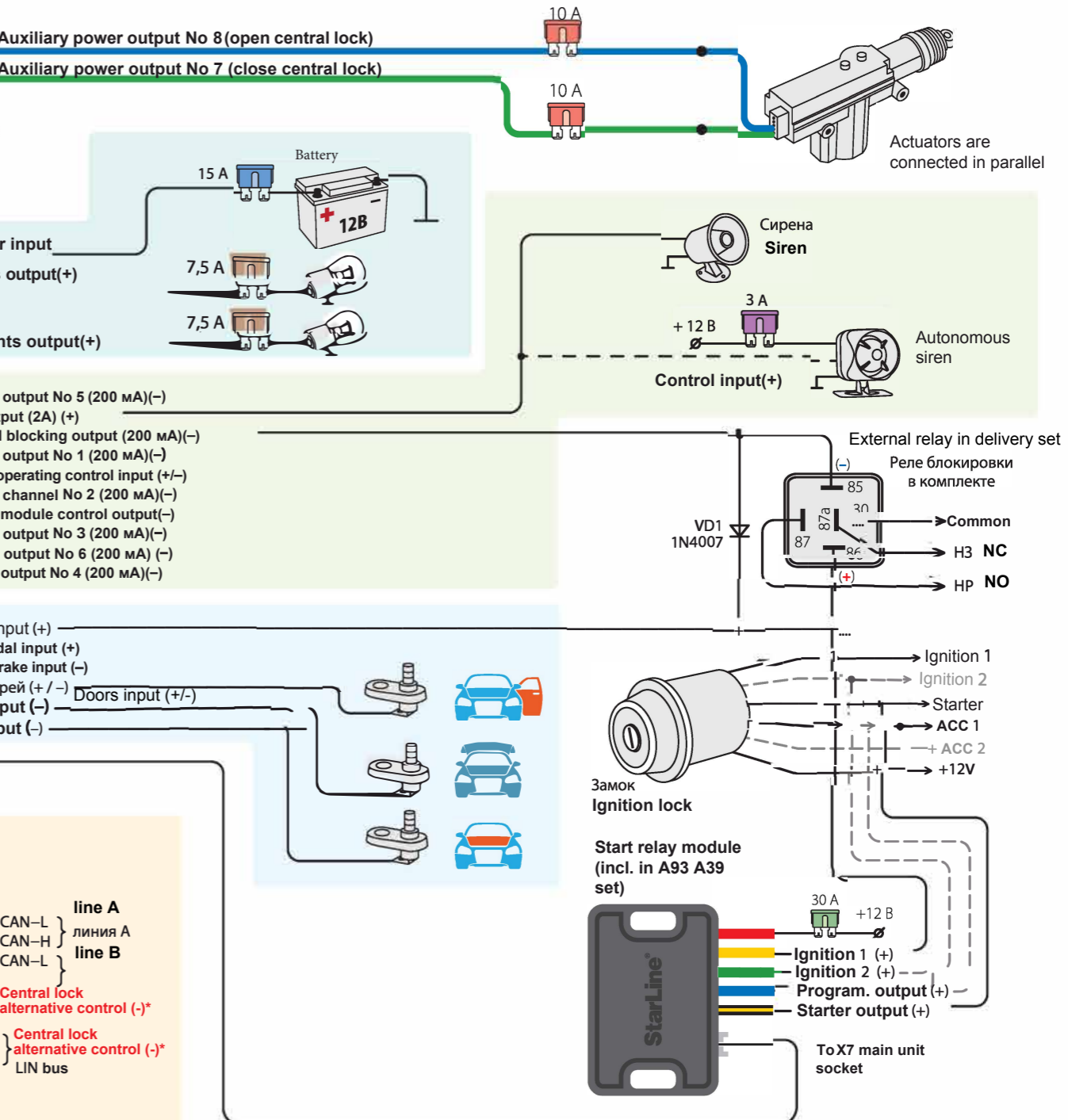
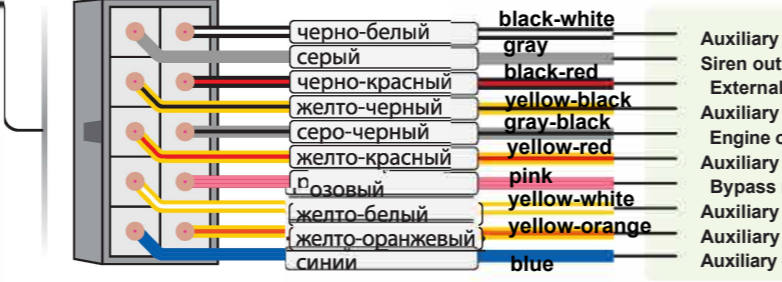
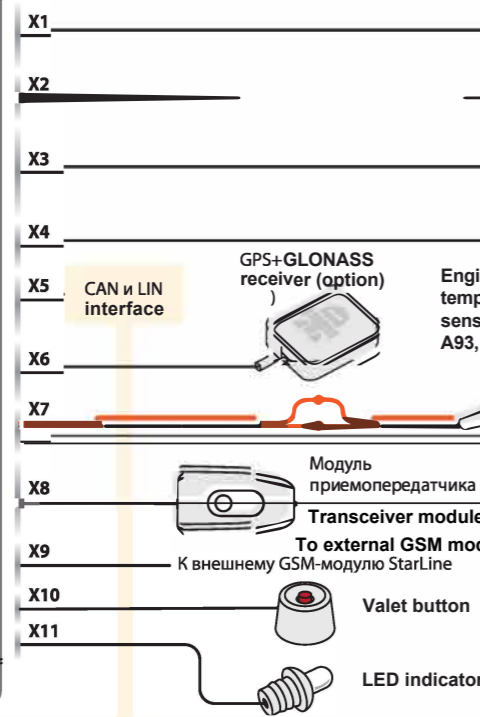
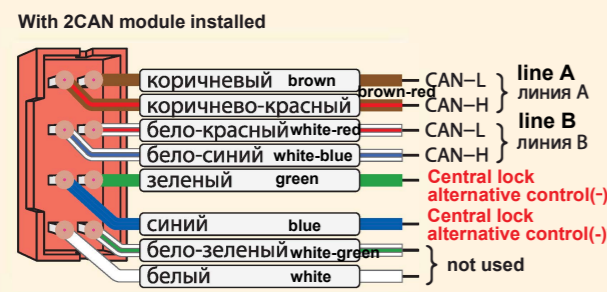


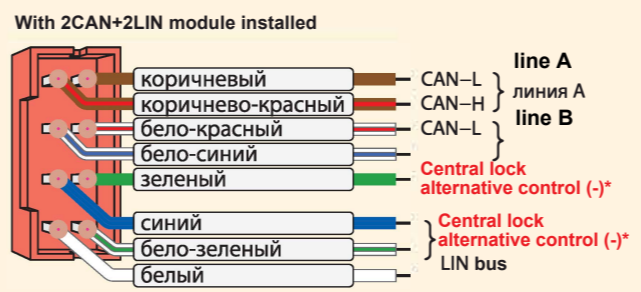
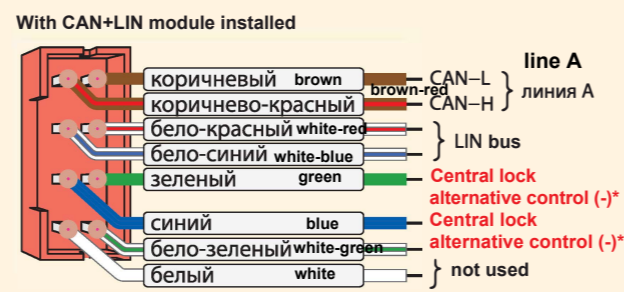
# StarLine A93, A63 A39, A36



## CAN interface connection



## CAN and LIN interface connection



See the CAN and LIN connections for different car brands and models at [can.starline.ru](http://can.starline.ru)

\* for the main unit firmware version GK74\_P5 and above

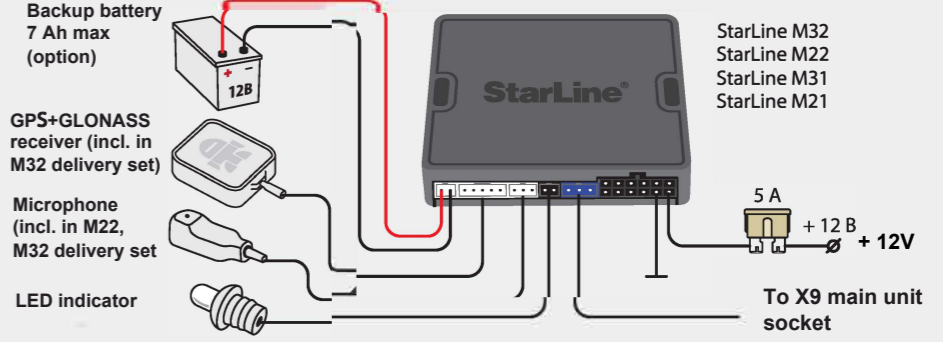
## Samples of security components placement

- Transceiver module**  
 mount it on the windshield not closer than 5 cm from the car body metal parts.  
**Warning!**  
 Do not place transceiver module on the windshield silk printing, this will reduce the remote control range. The windshield heating thread may also reduce the operating range.  
 The shock and tilt sensor is integrated into transceiver module, so it needs the stable fixing to the windshield or under the dashboard.
- Place the main security unit in any hidden place of the cabin.**  
**Warning!** If the main security unit contains GSM module (option) with antenna, do not mount main unit of the metal surface, it may lead to interference and low GSM connection level. If can not avoid placing on metal parts, leave the distance to the metal surface not less than 1 cm.



- Place the LED indicator in a place visible both from inside and outside.
- Fix the temperature sensor on one of the engine cooling system tube near to the engine housing.
- Siren is placed in a dry and not hot place in under the hood space. Direct the siren horn downwards.

## Connection of optional external telematics module

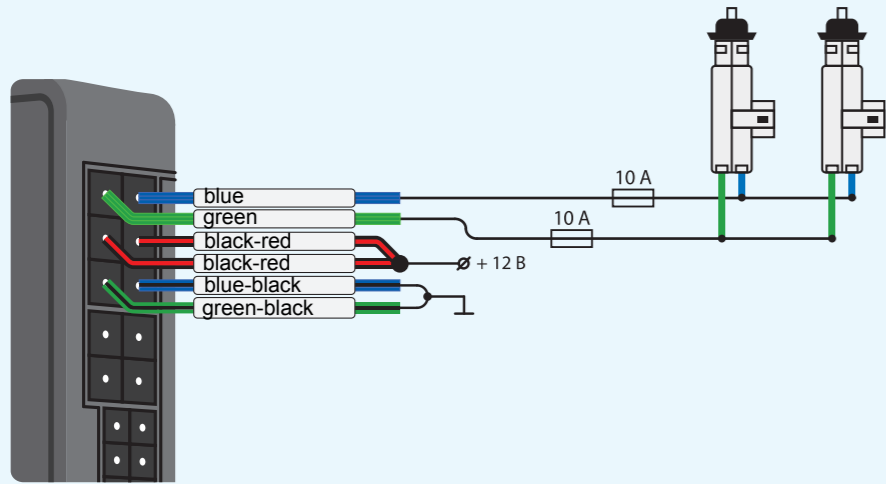


**!** ScPA StarLine holds the right to make technical improvements, not specified in this diagram.  
 See the information on updates, actual manual and installation instructions at [www.starline.ru](http://www.starline.ru) Catalogue section. Installation guides for different car models are available at [install.starline.ru](http://install.starline.ru)

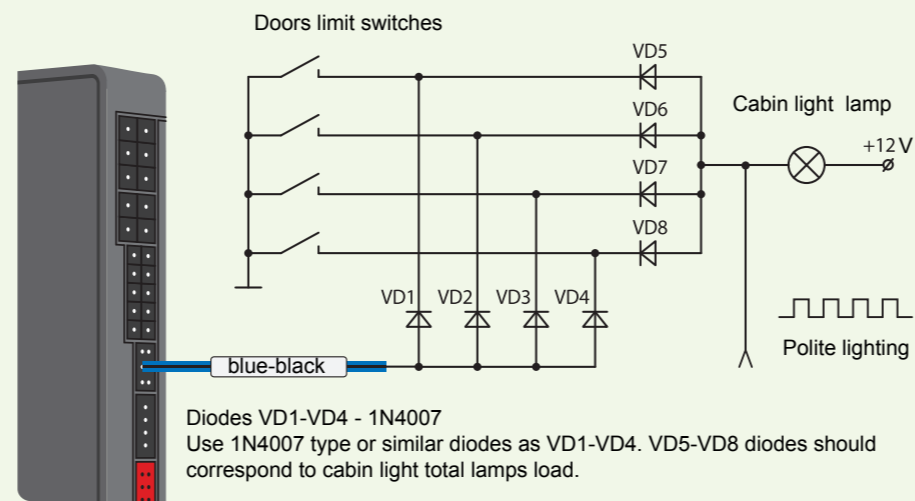
StarLine federal support hotline. Call is free. Russia 8-800-333-80-30  
 Moscow (495) 935-80-30  
 Belarus 8-10-8000-333-80-30  
 Kazakhstan 8-800-070-80-30  
 Ukraine 0-800-502-308  
 Professional installer hotline. Call is free from Russian mobile numbers of MTS, Beeline, Megafone - 0797

# StarLine A93, A63, A39, A36 main connection samples

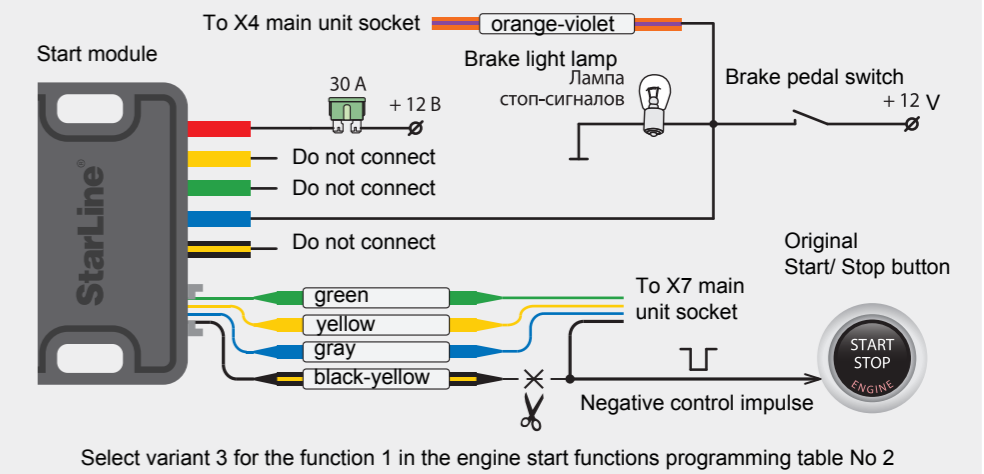
Connection to 2-wire door central lock actuators



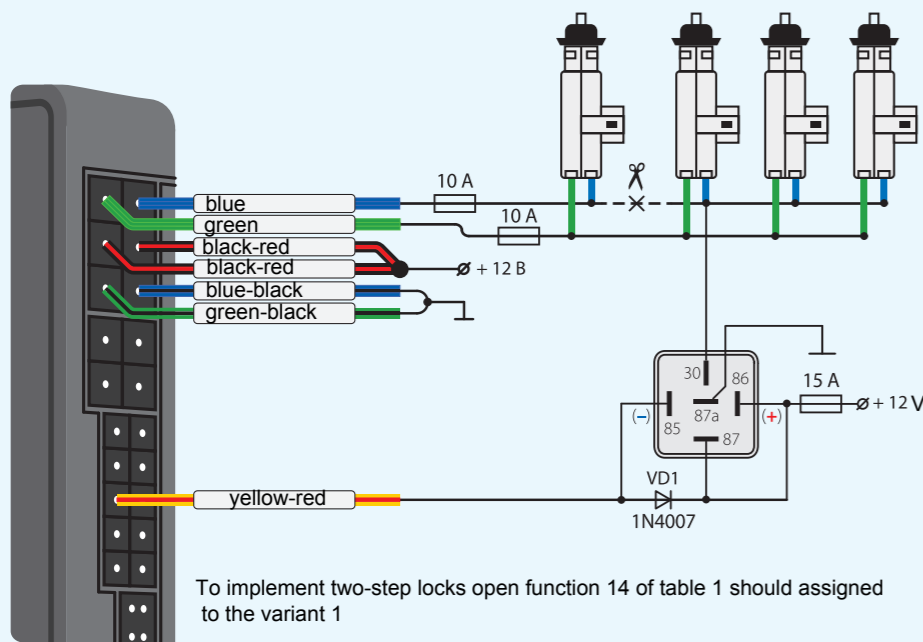
Diode isolation diagram for the door limit switches with negative polarity



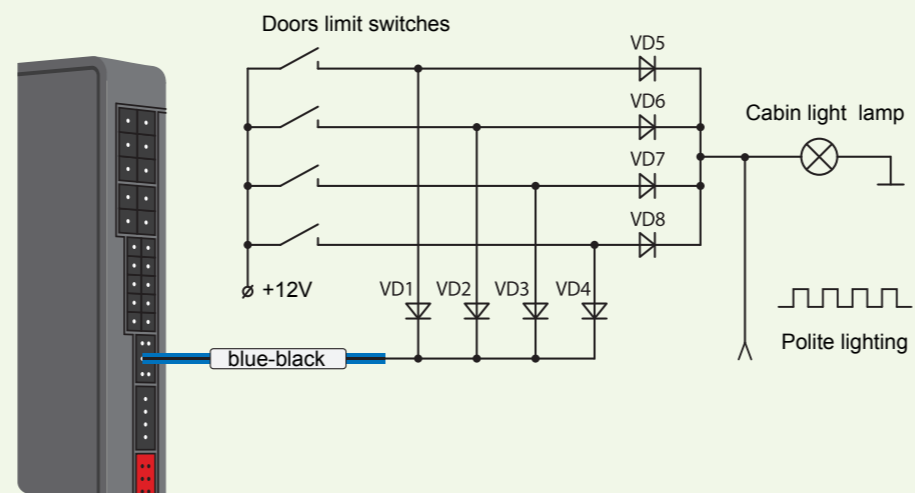
Engine start circuits connection diagram on the Start/Stop button equipped cars



Connection to the 2-wire central lock actuators for the two-step opening

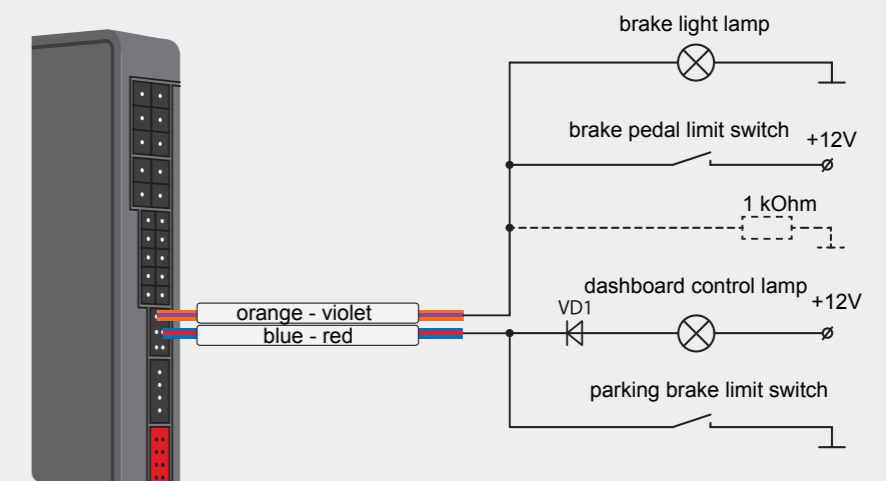


Diode isolation connection diagram for the doors limit switches positive polarity

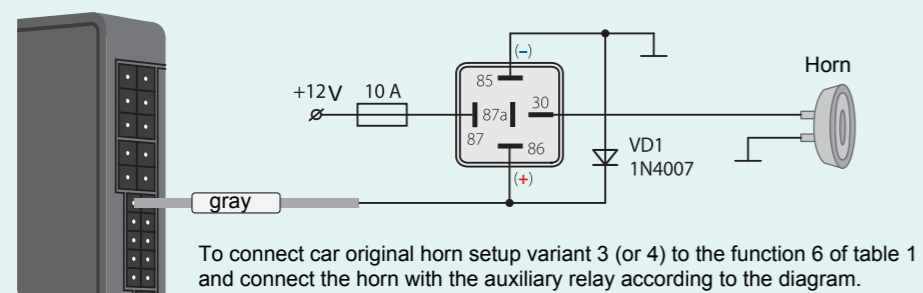


Parking brake and brake pedal connection diagram

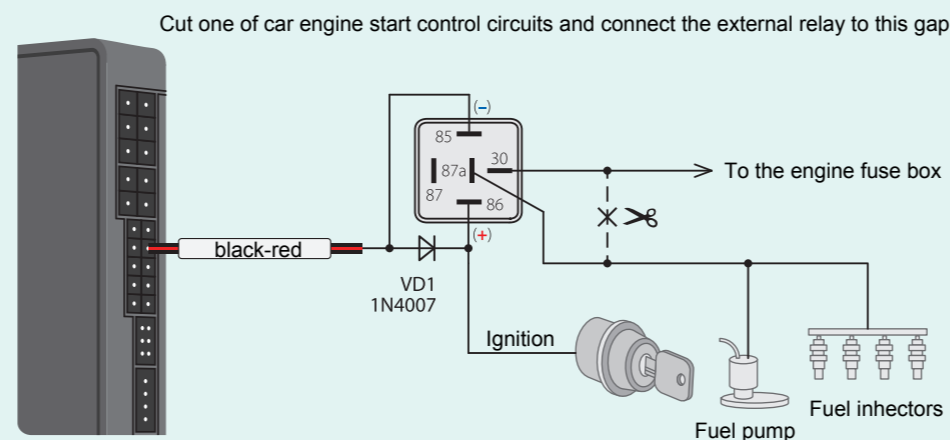
1. Mount the isolating diode VD1 (1N3007) in connection to the parking brake.
2. Connect the blue-red wire to the "ground" in case of not used.
3. If the car is equipped with LED brake lights, sometimes it needs to connect orange-violet wire to the "ground" through 1kOhm resistor.



Connection the original car horn with use of auxiliary relay



External engine blocking circuits with use of auxiliary relay



Ignition support +12V connection diagram with in engine operating and in turbotimer mode (start functions are enabled, function 1 of table 2)

